

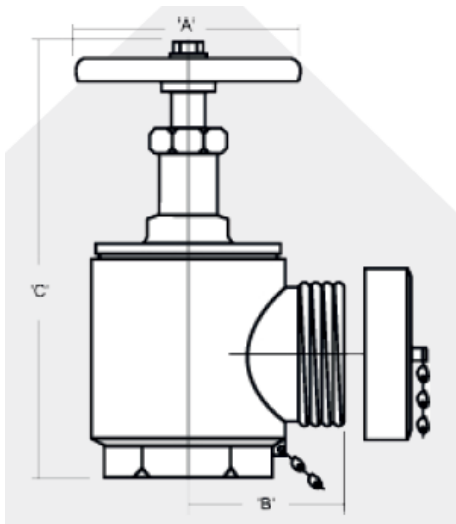


2 1/2" Angle Valve (FxM) M4065



Heavy Duty 2-1/2" (65 mm) angle hose, 300 lb (2070 KPa) pressure tested approved valve.

Lightweight cast brass body, Forgeline Bonnett and Seat Assembly. UL/ULC listed and FM Approved. Specify regional hose thread for outlet.



A=5" (125mm)
B=3 3/16" (79mm)

C=11" (OPEN) (275mm)
C=9 1/4" (CLOSED) (231mm)

Weight: 9lbs (4.09 Kg)

Finish: Cast Brass (without cap)



www.amerex-mexico.com
ventas@amerex-mexico.com
Conmutador: (81) 1534.9214