



2.5" Straight Pattern Brass Gate Valve.

2.5" Female NPT x 2.5" Male Hose thread.

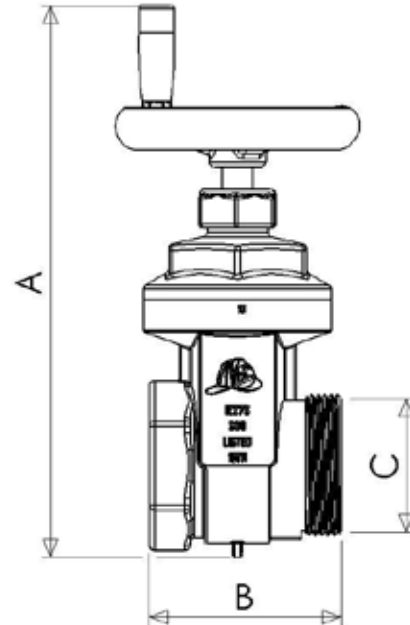


2.5" Straight Pattern Brass Gate Valve with non-rising stem and solid inlet. For use on hydrants, standpipes and fire pump test connections rated for up to 300 lbs (2070 kPa) applications. The M4315 sl is made up of a brass body and brass trim and comes with a red round handle, and optional speed handle. A hex is provided on the female NPT inlet and male hose thread on the outlet. Specify hose thread.

FINISH: Cast Brass

OPTIONS:

- o Cast Chrome
- o speed handle



Dimensions:

A= 12" (305mm)

B= 4.02" (102mm)

C= Subject to Hose Thread



www.amerex-mexico.com

ventas@amerex-mexico.com

Conmutador: (81) 1534.9214