

SPECIFICATIONS

22ga. box; 20ga. tubular steel door with 20ga. frame and a continuous steel hinge. All components are powder-coated with an electrostatically-applied, thermally-fused, recoatable white polyester finish. All glass door styles provided with clear tempered safety glass. Wall mounting and size of cabinet as selected by model number.

REGULARLY FURNISHED

1870 Series - For use with 2-1/2" Fire Department Valve and Portable Fire Extinguisher

*Note: 20 lb. chem max. size.

1880 Series - For use with 1-1/2" or 2-1/2" Pressure Regulating Valve and Portable Fire Extinguisher

*Note: 10 lb. dry chem max. size

MODEL SELECTION

- 1870 Recessed
- 1871 Trimless
- 1872 Semi-Recessed
- 1875 Surface
- 1880 Recessed
- 1881 Trimless
- 1882 Semi-Recessed
- 1885 Surface

PRODUCT OPTIONS

DOOR AND FRAME MATERIAL:

- AL ALUMINUM: Clear Anodized Finish
- SS STAINLESS STEEL: 304 w/ #4 Finish
- PB BRASS: Polished Finish
- BZ BRONZE: Call for Options

FINISHES:

- ALUMINUM: Duranodic Finish
 - Light Medium Dark
- STAINLESS STEEL: Finish as Specified
 - 304 w/ #6 Dull Satin 304 w/ #8 Mirror
- RED: Powder Coat
- CUSTOMER COLORS _____ (Specify)



PRODUCT OPTIONS (cont.)

CABINET MODIFICATIONS:

- DANA TYPE: Frameless Concealed Hinge and Handle Construction (recessed cabinet only)
- DP Duplex Cabinet
- 10 10" Deep Box (1870-1872 models only)

DOOR STYLES:

- A Full Glass, w/ Tempered Safety Glass
- B Break-Glass, w/ Lock & Break Rite® Handle
- D Duo-Panel w/ Tempered Safety Glass
- DV Duo-Vertical Panel w/ Tempered Safety Glass
- DVL Duo-Vertical Panel w/ Lock, TSG & Break Rite® Handle.
- E Tempered Safety Glass (25 sq. in.) w/ Break Rite® Handle
- F Flush Solid Metal
- FS Flush Solid Metal w/ lock
- J Insert Panel
- (Specify) Optional inserts for glass-style doors

**NOTE: DOOR STYLES -A, -D, -DV, -F, & -J PROVIDED w/ LEVER HANDLE/CAM LATCH

**NOTE: ALL GLASS DOOR STYLES PROVIDED WITH CLEAR TEMPERED SAFETY GLASS IN COMPLIANCE WITH ANSI Z97-1-1984

Call Potter Roemer - Fire Pro for current listings and approvals. Dimensions are subject to manufacturer's tolerance and may change without notice. Potter Roemer - Fire Pro assumes no responsibility for use of void or superseded data. © Copyright Potter Roemer - Fire Pro, Member of Morris Group International™ Please visit potterroemer.com for most current specifications.

1870 SERIES

Date: 03/27/14

MEMBERSHIP



FIRE EQUIPMENT
MANUFACTURERS'
ASSOCIATION

ONFSA
NATIONAL IRRE SPRINKLER ASSOCIATION, INC.



CASPE
American Society of
Plumbing Engineers




POTTER ROEMER/FIRE PRO

Headquarters:
P.O. Box 3527
City of Industry, CA
91744 U.S.A.
Los Angeles Area
800-366-3473
626-855-4890

Also in:
New York (800) 526-4592
Chicago (800) 547-3473
Atlanta (800) 762-0542
Miami (866) 961-3473
Dallas (866) 644-3473

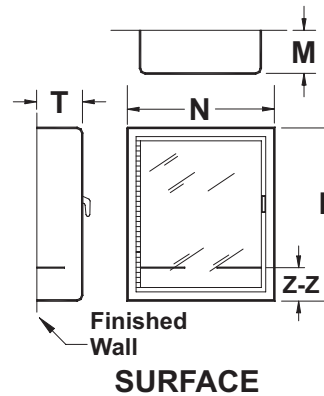
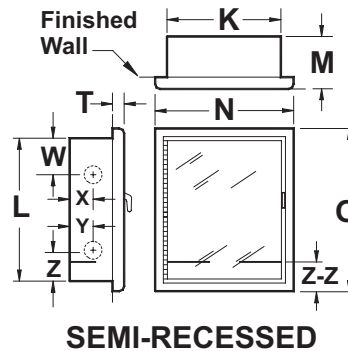
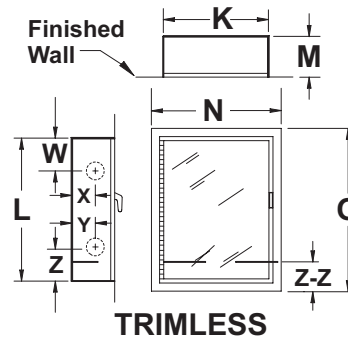
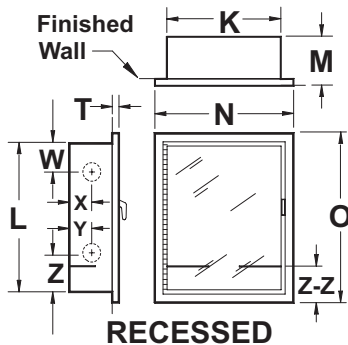
www.potterroemer.com

MODEL DIMENSIONS

| Model No. | Wall Mounting | Inside Box Dimensions | | | Overall Frame | | Wall Opening Required | | | Trim T | Inlet Location | | | | Shelf Z-Z | ADA  |
|-----------|---------------|-----------------------|----|-------|---------------|--------|-----------------------|----------------------------|-----------------------|--------|----------------|---|---|---|-----------|---|
| | | K | L | M | N | O | W I D T H | H E I G H T | D E P T H | | W | X | Y | Z | | |
| 1870 | Recessed | 14 | 40 | *8 | 17-3/4 | 43-3/4 | 15 | 41 | *8-1/2 | 5/8 | - | - | 4 | 4 | 12 | Yes |
| 1871 | Trimless | 14 | 40 | *8 | 17 | 43 | 15 | 41 | *9-1/4 | - | - | - | 4 | 4 | 12 | Yes |
| 1872 | Semi-Recessed | 14 | 40 | *8 | 17-1/2 | 43-1/2 | 15 | 41 | *6-1/2 | 2 | - | - | 4 | 4 | 12 | Yes |
| 1875 | Surface | 16 | 42 | 9-1/2 | - | - | - | - | - | - | - | - | - | - | 12 | No |
| 1880 | Recessed | 18 | 24 | 8 | 21-3/4 | 27-3/4 | 19 | 25 | 8-1/2 | 5/8 | 4 | 4 | 4 | 4 | - | Yes |
| 1881 | Trimless | 18 | 24 | 8 | 21 | 27 | 19 | 25 | 9-1/4 | - | 4 | 4 | 4 | 4 | - | Yes |
| 1882 | Semi-Recessed | 18 | 24 | 8 | 21-3/4 | 47-1/2 | 19 | 25 | 6-1/2 | 2 | 4 | 4 | 4 | 4 | - | Yes |
| 1885 | Surface | 20 | 26 | 9-1/2 | - | - | - | - | - | - | - | - | - | - | - | No |

ALL DIMENSIONS ARE IN INCHES UNLESS OTHERS NOTED

NOTE: *Add 2" for (-10 Option)



Call Potter Roemer - Fire Pro for current listings and approvals. Dimensions are subject to manufacturer's tolerance and may change without notice. Potter Roemer-Fire Pro assumes no responsibility for use of void or superceded data. © Copyright Potter Roemer- Fire Pro, Member of Morris Group International™ Please visit potterroemer.com for most current specifications.

1870 SERIES

Date: 03/27/14

MEMBERSHIP



FIRE EQUIPMENT
MANUFACTURERS'
ASSOCIATION

ONFSA
NATIONAL IRRE SPRINKLER ASSOCIATION, INC.



CASPE
American Society of
Plumbing Engineers



POTTER ROEMER/FIRE PRO

Headquarters:
P.O. Box 3527
City of Industry, CA
91744 U.S.A.
Los Angeles Area
800-366-3473
626-855-4890

Also in:
New York (800) 526-4592
Chicago (800) 547-3473
Atlanta (800) 762-0542
Miami (866) 961-3473
Dallas (866) 644-3473

www.potterroemer.com