

SPECIFICATIONS

TWO-WAY & THREE-WAY INLETS

Cast brass body with drop clappers. Size, outlet location and number of inlets as selected by model number. Polished brass plate with lettering as selected. Polished brass 2-1/2" double female snoots with rigid end N.P.T. x pin lug hose thread swivels, pin lug plugs and chains.

MODEL SELECTION

- *5021 Back Outlet
- *5022 Bottom Outlet
- *5023 Top Outlet
- *5025 Back Outlet
- 5026 Bottom Outlet
- 5027 Top Outlet
- 5031 Back Outlet
- 5032 Bottom Outlet
- 5033 Top Outlet

NOTE: * = U/L Listed



PRODUCT OPTIONS

FINISHES:

- D Polished Chrome Plated

VARIATIONS:

- F Sillcock Flange Plate with Sillcock

THREADS:

- N.S.T.
- Other _____

LETTERING AVAILABLE:

- AUTO. SPKR.
- STANDPIPE
- DRY STANDPIPE
- AUTO SPKR. STANDPIPE

Call Potter Roemer - Fire Pro for current listings and approvals. Dimensions are subject to manufacturer's tolerance and may change without notice. Potter Roemer - Fire Pro assumes no responsibility for use of void or superseded data. © Copyright Potter Roemer - Fire Pro, Member of Morris Group International™ Please visit potterroemer.com for most current specifications.

5020-5030 SERIES Date: 03/27/14

MEMBERSHIP



FIRE EQUIPMENT
MANUFACTURERS'
ASSOCIATION

ONFSA
NATIONAL IRRE SPINELLER ASSOCIATION, INC.



CASPE
American Society of
Plumbing Engineers



POTTER ROEMER/FIRE PRO

Headquarters:
P.O. Box 3527
City of Industry, CA
91744 U.S.A.
Los Angeles Area
800-366-3473
626-855-4890

Also in:
New York (800) 526-4592
Chicago (800) 547-3473
Atlanta (800) 762-0542
Miami (866) 961-3473
Dallas (866) 644-3473

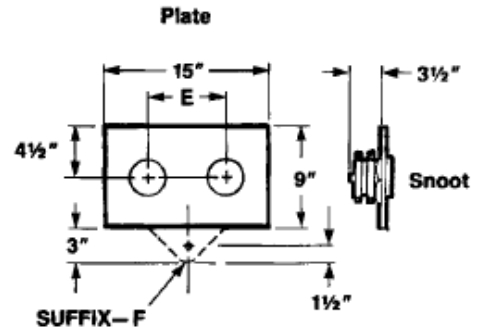
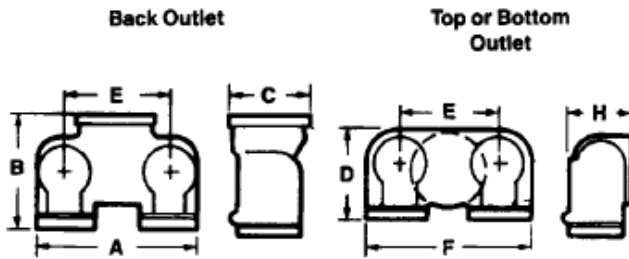
www.potterroemer.com

MODEL DIMENSIONS

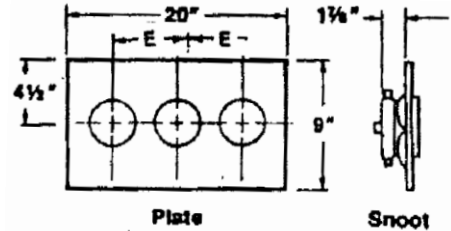
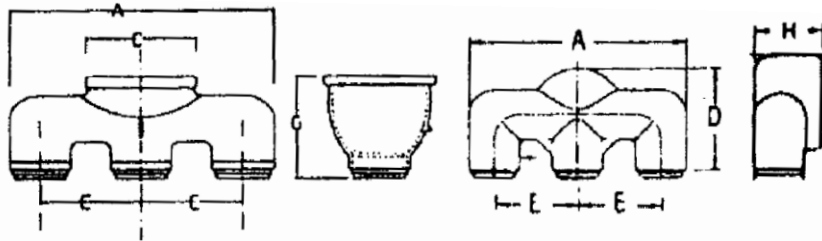
TWO-WAY AND THREE-WAY INLET

Outlet Location			Size	A	B	C	D	E	F	G	H	No. Inlets
Back Outlet Model No.	Bottom Outlet Model No.	Top Outlet Model No.										
*5021	*5022	*5023	4 x 2-1/2 x 2-1/2	11	6	5-1/2	6	7	11	-	5-3/4	2
*5025	5026	5027	6 x 2-1/2 x 2-1/2	12-3/4	8-3/4	7-3/4	9-1/2	7-1/2	12	-	5-1/4	2
5031	5032	5033	6 x 2-1/2 x 2-1/2 x 2-1/2	17-5/16	-	7-3/8	-	6-5/8	6-3/4	6-3/4	6	3

ALL DIMENSIONS IN INCHES



TWO-WAY INLET



THREE-WAY INLET

Call Potter Roemer - Fire Pro for current listings and approvals. Dimensions are subject to manufacturer's tolerance and may change without notice. Potter Roemer - Fire Pro assumes no responsibility for use of void or superseded data. © Copyright Potter Roemer - Fire Pro, Member of Morris Group International™ Please visit potterroemer.com for most current specifications.

5020-5030 SERIES Date: 03/27/14

MEMBERSHIP



FIRE EQUIPMENT
MANUFACTURERS'
ASSOCIATION

ONFSA
NATIONAL FIRE SPRINKLER ASSOCIATION, INC.



CASPE
American Society of
Plumbing Engineers



POTTER ROEMER/FIRE PRO

Headquarters:
P.O. Box 3527
City of Industry, CA
91744 U.S.A.
Los Angeles Area
800-366-3473
626-855-4890

Also in:
New York (800) 526-4592
Chicago (800) 547-3473
Atlanta (800) 762-0542
Miami (866) 961-3473
Dallas (866) 644-3473

www.potterroemer.com