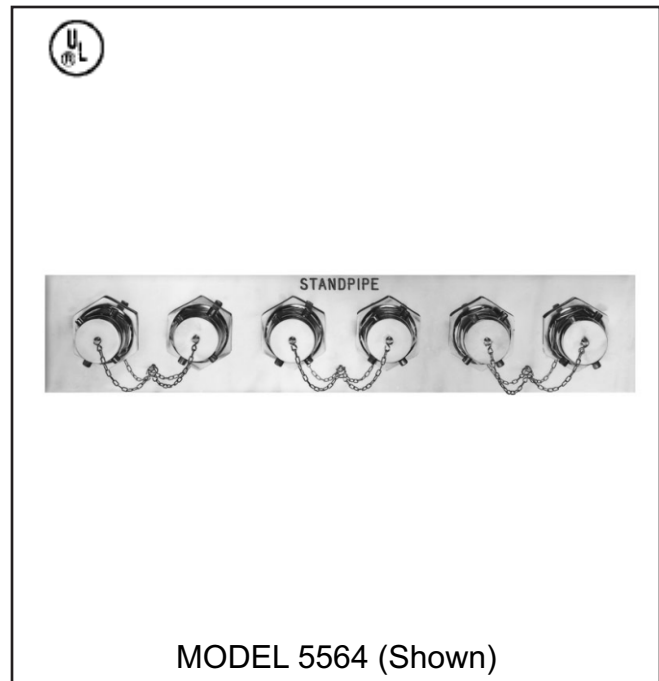


## SPECIFICATIONS

Cast brass or ductile iron body type and size of outlet as selected by model number. Polished brass plate with lettering as selected. Polished brass U/L listed double female clapper snoots with rigid end 3" N.P.T. x 2 1/2" lug pin hose thread swivels, pin lug plugs and chains.

## MODEL SELECTION

- 5521 Vertical End Brass
- 5522 Vertical End Ductile Iron
- 5523 Vertical Back Ductile Iron
- 5524 Vertical Angle Ductile Iron
- 5525 Horizontal End Brass
- 5526 Horizontal End Ductile Iron
- 5527 Horizontal Back Ductile Iron
- 5528 Horizontal Angle Ductile Iron
- 5532 Vertical, End Ductile Iron
- 5533 Vertical Back Ductile Iron
- 5534 Vertical Angle Ductile Iron
- 5536 Horizontal End Ductile Iron
- 5537 Horizontal Back Ductile Iron
- 5538 Horizontal Angle Ductile Iron
- 5541 Vertical End Brass
- 5542 Vertical End Ductile Iron
- 5543 Vertical Back Ductile Iron
- 5544 Vertical Angle Ductile Iron
- 5545 Horizontal End Brass
- 5546 Horizontal End Ductile Iron
- 5547 Horizontal Back Ductile Iron
- 5548 Horizontal Angle Ductile Iron
- 5561 Vertical End Outlet
- 5562 Horizontal Outlet
- 5564 Horizontal Back Outlet
- 5565 Horizontal End Outlet
- 5566 Horizontal Angle Outlet
- 5567 Vertical End Outlet
- 5568 Horizontal Back Outlet
- 5569 Horizontal End Outlet
- 5581 Square Angle Brass
- 5582 Square Angle Ductile Iron
- 5585 Square Back Brass
- 5586 Square Back Ductile Iron



## PRODUCT OPTIONS

### FINISHES:

- D Polished Chrome Plated

### VARIATIONS:

- V Vertical Installation

### THREADS:

- N.S.T.
- Other \_\_\_\_\_

### LETTERING AVAILABLE:

- STANDPIPE
- DRY STANDPIPE
- AUTO. SPKR.

Call Potter Roemer - Fire Pro for current listings and approvals. Dimensions are subject to manufacturer's tolerance and may change without notice. Potter Roemer - Fire Pro assumes no responsibility for use of void or superseded data. © Copyright Potter Roemer - Fire Pro, Member of Morris Group International™ Please visit [potterroemer.com](http://potterroemer.com) for most current specifications.

**5561-5569 SERIES** Date: 03/27/14

**MEMBERSHIP**



FIRE EQUIPMENT  
MANUFACTURERS'  
ASSOCIATION



## POTTER ROEMER/FIRE PRO

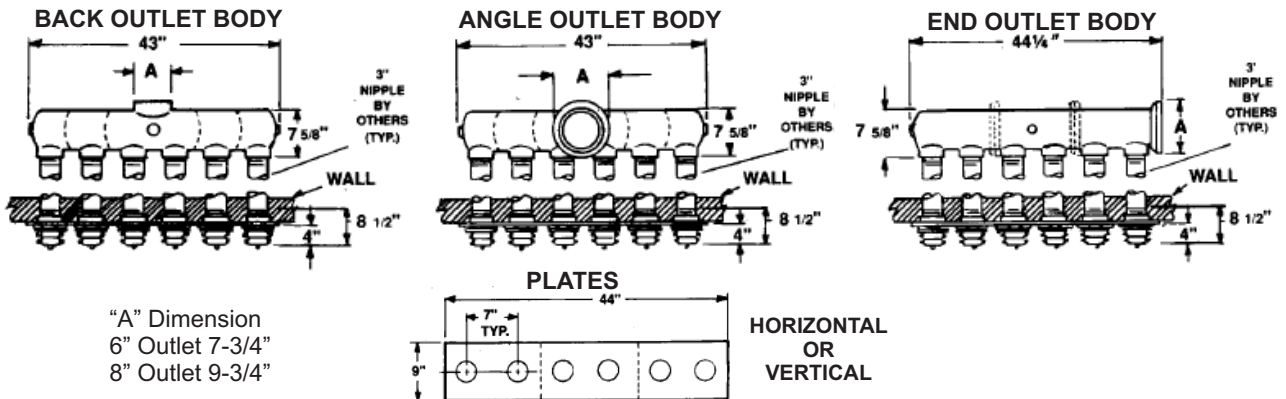
Headquarters:  
P.O. Box 3527  
City of Industry, CA  
91744 U.S.A.  
Los Angeles Area  
800-366-3473  
626-855-4890

Also in:  
New York (800) 526-4592  
Chicago (800) 547-3473  
Atlanta (800) 762-0542  
Miami (866) 961-3473  
Dallas (866) 644-3473

[www.potterroemer.com](http://www.potterroemer.com)

**MODEL DIMENSIONS**

Model No.	Installation	Outlet Size	Outlet Location	-V Vertical Option
5521	Vertical		End	No
5522	Vertical		End	No
5523	Vertical		Back	No
5524	Vertical		Angle	No
5525	Horizontal		End	Yes
5526	Horizontal		End	Yes
5527	Horizontal		Back	Yes
5528	Horizontal		Angle	Yes
5532	Vertical		End	No
5533	Vertical		Back	No
5534	Vertical		Angle	No
5536	Horizontal		End	Yes
5537	Horizontal		Back	Yes
5538	Horizontal		Angle	Yes
5541	Vertical		End	No
5542	Vertical		End	No
5543	Vertical		Back	No
5544	Vertical		Angle	No
5545	Horizontal		End	Yes
5546	Horizontal		End	Yes
5547	Horizontal		Back	Yes
5548	Horizontal		Angle	Yes
5561	Vertical	6"	End	No
5562	Horizontal	6"	Angle	Yes
5564	Horizontal	6"	Back	Yes
5565	Horizontal	6"	End	No
5566	Horizontal	8"	Angle	Yes
5567	Vertical	8"	End	No
5568	Horizontal	8"	Back	Yes
5569	Horizontal	8"	End	No
5581	Square		Angle	No
5582	Square		Angle	No
5585	Square		Back	No
5586	Square		Back	No



Call Potter Roemer - Fire Pro for current listings and approvals. Dimensions are subject to manufacturer's tolerance and may change without notice. Potter Roemer - Fire Pro assumes no responsibility for use of void or superseded data. © Copyright Potter Roemer - Fire Pro, Member of Morris Group International™ Please visit [potterroemer.com](http://potterroemer.com) for most current specifications.

**5561-5569 SERIES** Date: 03/27/14

**MEMBERSHIP**



FIRE EQUIPMENT  
MANUFACTURERS'  
ASSOCIATION

**ONFSA**  
NATIONAL IRRE SPRINKLER ASSOCIATION, INC.



**CASPE**  
American Society of  
Plumbing Engineers



**POTTER ROEMER/FIRE PRO**

Headquarters:  
P.O. Box 3527  
City of Industry, CA  
91744 U.S.A.  
Los Angeles Area  
800-366-3473  
626-855-4890

Also in:  
New York (800) 526-4592  
Chicago (800) 547-3473  
Atlanta (800) 762-0542  
Miami (866) 961-3473  
Dallas (866) 644-3473

[www.potterroemer.com](http://www.potterroemer.com)