

## SPECIFICATIONS

### SINGLE WALL HYDRANT

Polished brass 8" plate lettered HYDRANT and female N.P.T. x male hose thread snoot with cap and chain. Round or square plate and size as selected by model number.

### TWO-WAY & THREE-WAY WALL HYDRANTS

Polished brass 8" plate lettered HYDRANT and female N.P.T. x male hose thread snoot with cap and chain. Round or square plate and size as selected by model number.

## MODEL SELECTION

### ROUND SINGLE HYDRANTS

- 5801
- 5802
- 5803

### SQUARE SINGLE HYDRANTS

- 5811
- 5812
- 5813

### TWO-WAY & THREE WAY HYDRANTS

- 5821
- 5822
- 5825
- 5826
- 5835
- 5836



## PRODUCT OPTIONS

### FINISHES:

- D Polished Chrome Plated

### OPTION:

- G 3" Male hose Thread Outlet

### THREADS:

- N.S.T.
- Other \_\_\_\_\_

### LETTERING AVAILABLE:

- WALL HYDRANT
- HYDRANT

Call Potter Roemer - Fire Pro for current listings and approvals. Dimensions are subject to manufacturer's tolerance and may change without notice. Potter Roemer - Fire Pro assumes no responsibility for use of void or superseded data. © Copyright Potter Roemer - Fire Pro, Member of Morris Group International™ Please visit [potterroemer.com](http://potterroemer.com) for most current specifications.

**5801-5836 SERIES** Date: 03/27/14

**MEMBERSHIP**



FIRE EQUIPMENT  
MANUFACTURERS'  
ASSOCIATION

**ONFSA**  
NATIONAL FIRE SPRINKLER ASSOCIATION, INC.



**CASPE**  
American Society of  
Plumbing Engineers



## POTTER ROEMER/FIRE PRO

Headquarters:  
P.O. Box 3527  
City of Industry, CA  
91744 U.S.A.  
Los Angeles Area  
800-366-3473  
626-855-4890

Also in:  
New York (800) 526-4592  
Chicago (800) 547-3473  
Atlanta (800) 762-0542  
Miami (866) 961-3473  
Dallas (866) 644-3473

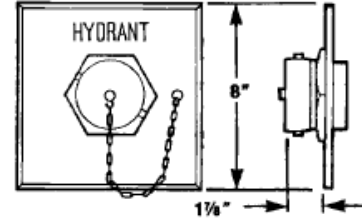
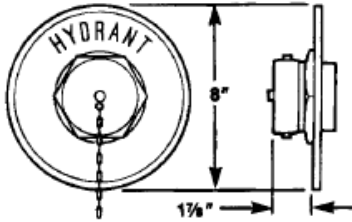
[www.potterroemer.com](http://www.potterroemer.com)

**MODEL DIMENSIONS**

ROUND SINGLE HYDRANT	
Model No.	Size
5801	2-1/2"
5802	2-1/2" x 3"
5803	3"

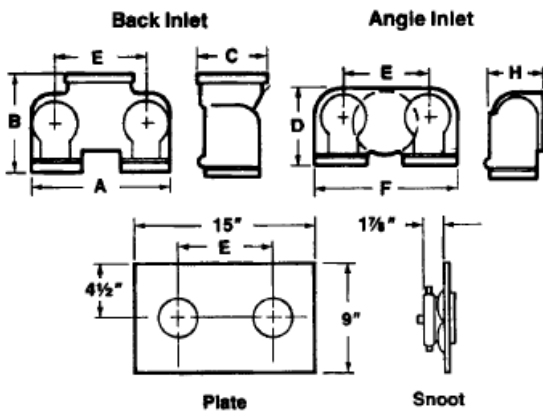


SQUARE SINGLE HYDRANT	
Model No.	Size
5811	2-1/2"
5812	2-1/2" x 3"
5813	3"

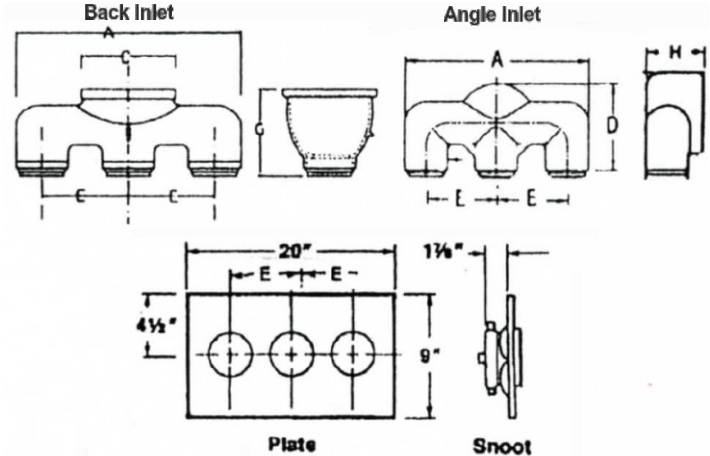


**TWO-WAY & THREE-WAY HYDRANTS**

Inlet Location		Size	No. Outlets	A	B	C	D	E	F	G	H
Back Model No.	Angle Model No.										
5821	5822	4 x 2-1/2 x 2-1/2	2	11	6	5-1/2	6	7	11	-	5-3/4
5825	5826	6 x 2-1/2 x 2-1/2	2	12-3/4	8-3/4	7-3/4	9-1/2	7-1/2	12	-	5-1/4
5835	5836	6 x 2-1/2 x 2-1/2 x 2-1/2	3	17-5/16	-	7-3/8	-	6-5/8	6-3/4	6-3/4	6



**Two-Way Hydrant**



**Three-Way Hydrant**

Call Potter Roemer - Fire Pro for current listings and approvals. Dimensions are subject to manufacturer's tolerance and may change without notice. Potter Roemer - Fire Pro assumes no responsibility for use of void or superseded data. © Copyright Potter Roemer - Fire Pro, Member of Morris Group International™ Please visit [potterroemer.com](http://potterroemer.com) for most current specifications.

**5801-5836 SERIES** Date: 03/27/14

**MEMBERSHIP**



FIRE EQUIPMENT  
MANUFACTURERS'  
ASSOCIATION

**ONFSA**  
NATIONAL IRRE SPRINKLER ASSOCIATION, INC.



**CASPE**  
American Society of  
Plumbing Engineers



**POTTER ROEMER/FIRE PRO**

Headquarters:  
P.O. Box 3527  
City of Industry, CA  
91744 U.S.A.  
Los Angeles Area  
800-366-3473  
626-855-4890

Also in:  
New York (800) 526-4592  
Chicago (800) 547-3473  
Atlanta (800) 762-0542  
Miami (866) 961-3473  
Dallas (866) 644-3473

[www.potterroemer.com](http://www.potterroemer.com)