

SPECIFICATIONS

2-1/2" Model 2751 Escutcheon
2-1/2" x 1-1/2" Model 2810 Satin Brass Reducer
1-1/2" Model 2930 Satin Brass Pin Lug Coupling
1-1/2" Model 2915 ◀FM▶ Lined 500 lb. Polyflex Hose
(For Interior Standpipe)
1-1/2" Model 2962 U/L & ◀FM▶ Satin Brass Fog
Nozzle
2-1/2" x 1-1/2" Model 2794 Red Polyester Coated
Steel UL ◀FM▶ Hose Rack.
Model 1985 Instructional Decal.

Nipple Mounted:

2-1/2" Model 4075 Rough Brass 300 lb. U/L Angle
Valve
2-1/2" Model 2756 Satin Brass hose Rack Nipple.

MODEL SELECTION

- 2705 50'
- 2707 75'
- 2710 100'

PRODUCT OPTIONS

MOUNTING TYPES:

- E WALL BRACKET - 1-1/2" Model 4060 Rough
Brass 300 lb. U/L Angle Valve
- G PIPE CLAMP - (For ___ Pipe)
1-1/2" Model 4060 Rough Brass 300 lb. U/L
Angle Valve

FINISHES:

- A Rack - Red Enamel
Valve - Rough Brass
Trim - Polished Brass
- B Rack - Red Enamel
Valve - Polished Brass
Trim - Polished Brass
- C Rack - Polished Chrome Plated
Valve - Rough Chrome Plated
Trim - Rough Chrome Plated
- D Rack - Polished Chrome Plated
Valve - Polished Chrome Plated
Trim - Polished Chrome Plated



PRODUCT OPTIONS (cont.)

EQUIPMENT:

- 11 Model 2765 Adjustable Brass Pressure
Restricting Device
- 12 Model 2770 1-1/2" Brass Restricting Disc
- 15 Model 4095 2-1/2" Double Female Adjustable
Pressure Restricting Angle Valve
- 17 Model 4021 2-1/2" Double Female Pressure
Regulating Angle Valve
- 19 Model 4050 Double Female Pressure Regulating
Angle Valve
- 21 Model 2915 Single Jacket Lined 300 lb. Test
Polyflex ◀FM▶ and U/L Labeled
- 23 Model 2926 Single Jacket Lined 500 lb. Test PR
Superflex ◀FM▶
- 24 Model 2926 Single Jacket Lined 500 lb. Test PR
Superflex FM and U/L Labeled
- 31 Model 2930 RL
- 32 Model 2941 Extruded Aluminum Coupling
- 42 Model 2960 Red Lexan Plastic Fog Nozzle
- 43 Model 2972 Brass Fog Nozzle with Rubber
Bumper
- 44 Model 2980 Red Lexan Plastic "All fog" Nozzle
- 45 Model 2985 Brass "All Fog" Nozzle with Rubber
Bumper
- 46 Model 2993 Brass Fixed-Flow Adjustable Nozzle

Call Potter Roemer - Fire Pro for current listings and approvals. Dimensions are subject to manufacturer's tolerance and may change without notice. Potter Roemer - Fire Pro assumes no responsibility for use of void or superseded data. © Copyright Potter Roemer - Fire Pro, Member of Morris Group International™ Please visit potterroemer.com for most current specifications.

2700 SERIES

Date: 03/27/14

MEMBERSHIP



FIRE EQUIPMENT
MANUFACTURERS'
ASSOCIATION

ONFSA
NATIONAL IRRE SPRINKLER ASSOCIATION, INC.



CASPE
American Society of
Plumbing Engineers



POTTER ROEMER/FIRE PRO

Headquarters:
P.O. Box 3527
City of Industry, CA
91744 U.S.A.
Los Angeles Area
800-366-3473
626-855-4890

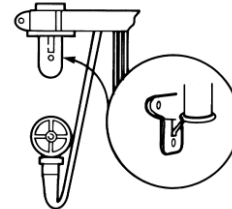
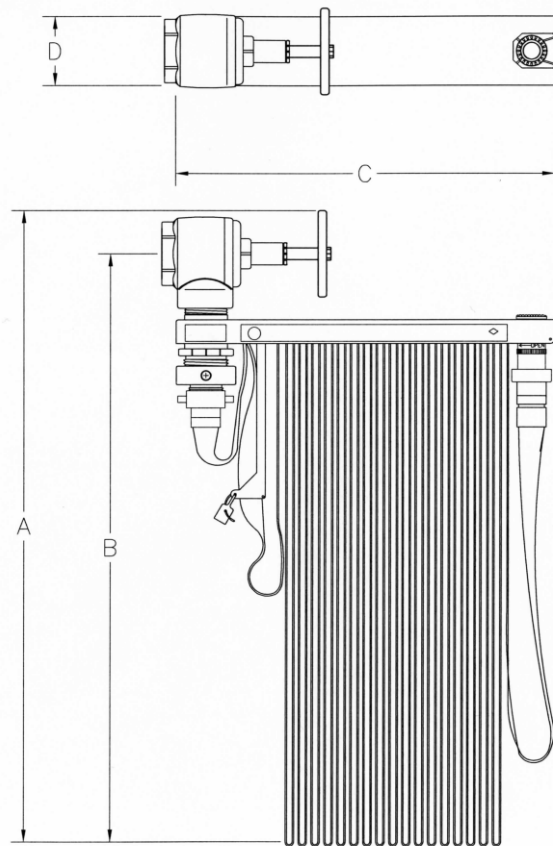
Also in:
New York (800) 526-4592
Chicago (800) 547-3473
Atlanta (800) 762-0542
Miami (866) 961-3473
Dallas (866) 644-3473

www.potterroemer.com

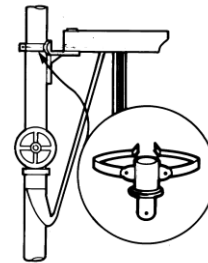
MODEL DIMENSIONS

Model No.	Hose Length	Valve Size	Hose Diam.	Dimensions			
				A	B	C	D
2705	50'	2-1/2"	1-1/2"	22-1/2"	25"	18"	5"
2707	75'	2-1/2"	1-1/2"	25"	27-1/2"	18"	5"
2710	100'	2-1/2"	1-1/2"	30"	32-1/2"	18"	5"

NOTE: Add 4" to hose rack assembly dimension "C" for Model 2926 PR-Superflex Hose



-G PIPE CLAMP



-E WALL BRACKET

Call Potter Roemer - Fire Pro for current listings and approvals. Dimensions are subject to manufacturer's tolerance and may change without notice. Potter Roemer - Fire Pro assumes no responsibility for use of void or superceded data. © Copyright Potter Roemer - Fire Pro, Member of Morris Group International™ Please visit potterroemer.com for most current specifications.

2700 SERIES

Date: 03/27/14

MEMBERSHIP



FIRE EQUIPMENT
MANUFACTURERS'
ASSOCIATION



POTTER ROEMER/FIRE PRO

Headquarters:
P.O. Box 3527
City of Industry, CA
91744 U.S.A.
Los Angeles Area
800-366-3473
626-855-4890

Also in:
New York (800) 526-4592
Chicago (800) 547-3473
Atlanta (800) 762-0542
Miami (866) 961-3473
Dallas (866) 644-3473

www.potterroemer.com