

SPECIFICATIONS

HOSE REELS

Red glossy polyester coated steel drum, rims and universal mounting stand, Female N.P.T. inlet with male N.S.T. hose outlet. Inlet size and hose capacity as selected by model number.

BRAIDED SYNTHETIC HOSE

Multiple ply synthetic rubber hose with red exterior 600 lb. burst test pressure, 300 lb. proof test pressure, 150 lb. recommended working pressure. Size and ply as selected by model number.

COUPLINGS FOR BRAIDED SYNTHETIC HOSE

Brass or hardcoat aluminum finish, with rocker lugs as selected by figure number.



MODEL 2839 (Shown)

MODEL SELECTION

HOSE REELS

- 2836
- 2837
- 2838
- 2839
- 2840
- 2841
- 2842

BRAIDED SYNTHETIC HOSE

- 2851 3/4", 2 Ply, 32 lb./100'
- 2852 1", 2 Ply, 45 lb./100'
- 2853 1-1/2", 4 Ply, 45 lb./100'

COUPLINGS FOR BRAIDED SYNTHETIC HOSE

- 2861 3/4" Brass (Shank type with hex)
- 2862 1" Aluminum
- 2863 1-1/2" Brass

PRODUCT OPTIONS

HOSE SIZE:

- 50'
- 75'
- 100'

OPTIONS:

- HC Hand Crank
- 2836 - FH 1" x 18" Flexible Hose
- 2839 - FH 1-1/2" x 18" Flexible Hose

THREADS:

- N.S.T.
- Other _____

Call Potter Roemer - Fire Pro for current listings and approvals. Dimensions are subject to manufacturer's tolerance and may change without notice. Potter Roemer - Fire Pro assumes no responsibility for use of void or superseded data. © Copyright Potter Roemer - Fire Pro, Member of Morris Group International™ Please visit potterroemer.com for most current specifications.

2836 SERIES

Date: 03/27/14

MEMBERSHIP



FIRE EQUIPMENT
MANUFACTURERS'
ASSOCIATION

ONFSA
NATIONAL IRRE SPRINKLER ASSOCIATION, INC.



CASPE
American Society of
Plumbing Engineers



POTTER ROEMER/FIRE PRO

Headquarters:
P.O. Box 3527
City of Industry, CA
91744 U.S.A.
Los Angeles Area
800-366-3473
626-855-4890

Also in:
New York (800) 526-4592
Chicago (800) 547-3473
Atlanta (800) 762-0542
Miami (866) 961-3473
Dallas (866) 644-3473

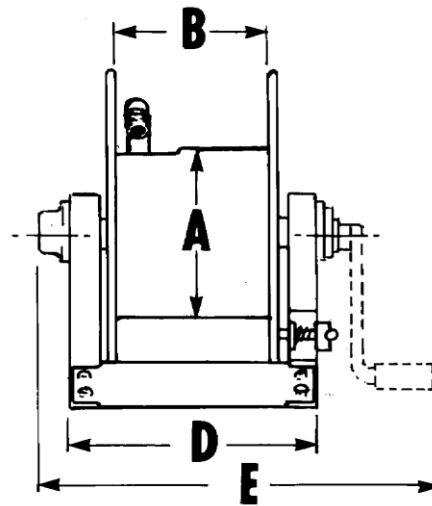
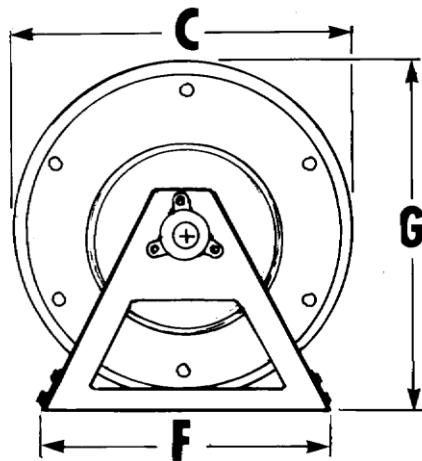
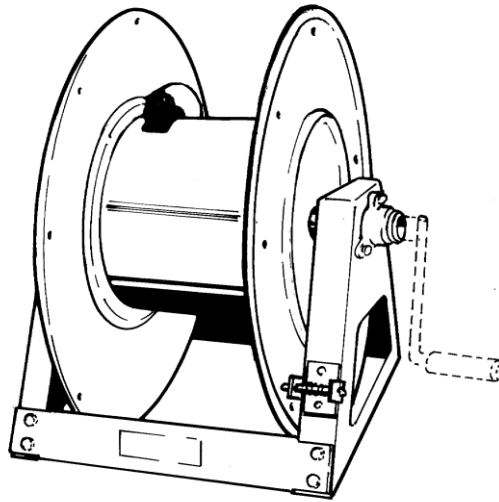
www.potterroemer.com

MODEL DIMENSIONS

Model No.	Hose Size and Capacity			A	B	C	D	E	F	G	Inlet Size	Outlet Size	Wt. Ea.
	3/4	1	1-1/2										
2836	75'	50'	-	10-1/2	11-1/2	24	19-1/4	24	21-3/4	26	1*	1	53
2837	100'	75'	-	10-1/2	11-1/2	24	19-1/4	24	21-3/4	26	1*	1	53
2838	125'	100'	-	10-1/2	11-1/2	24	19-1/4	24	21-3/4	26	1*	1*	53
2839	250'	150'	100'	10-1/2	20-1/2	24	28-1/4	33	21-3/4	26	1-1/2	1-1/2	60
2840	400'	300'	150'	10-1/2	28	24	35-3/4	40-1/2	21-3/4	26	1-1/2	1-1/2	64
2841	-	-	200'	10-1/2	34	24	41-3/4	46-1/2	21-3/4	26	1-1/2	1-1/2	72
2842	250'	150'	100'	7	28	17	35-1/4	40-3/4	15-1/2	21-1/2	1-1/2	1-1/2	62

All DIMENSIONS IN INCHES

*Available 1-1/2" (SPECIFY)



Call Potter Roemer - Fire Pro for current listings and approvals. Dimensions are subject to manufacturer's tolerance and may change without notice. Potter Roemer-Fire Pro assumes no responsibility for use of void or superseded data. © Copyright Potter Roemer- Fire Pro, Member of Morris Group International™ Please visit potterroemer.com for most current specifications.

2836 SERIES

Date: 03/27/14

MEMBERSHIP



FIRE EQUIPMENT
MANUFACTURERS'
ASSOCIATION

ONFSA
NATIONAL FIRE SPRINKLER ASSOCIATION, INC.



CASPE
American Society of
Plumbing Engineers



POTTER ROEMER/FIRE PRO

Headquarters:
P.O. Box 3527
City of Industry, CA
91744 U.S.A.
Los Angeles Area
800-366-3473
626-855-4890

Also in:
New York (800) 526-4592
Chicago (800) 547-3473
Atlanta (800) 762-0542
Miami (866) 961-3473
Dallas (866) 644-3473

www.potterroemer.com