

## SPECIFICATIONS

- Model 4060 1-1/2" Rough Brass 300 lb. U/L-◀FM▶ Male x Female Angle Valve
- Model 2930 1-1/2" Satin Brass Pin Lug Coupling
- Model 2915 1-1/2" Single Jacket Lined 500 lb. Test Polyflex ◀FM▶ Hose (For Interior Standpipe)
- Model 2962 U/L-◀FM▶ Satin Brass Fog Nozzle
- Model 2865 Series Steel Swinging Hose Reel with Water Retention Device

## MODEL SELECTION

- 2866 50'
- 2867 75'
- 2868 100'

## PRODUCT OPTIONS

### FINISHES:

- A Rack - Red Enamel  
Valve - Rough Brass  
Trim - Polished Brass
- B Rack - Red Enamel  
Valve - Polished Brass  
Trim - Polished Brass
- C Rack - Polished Chrome Plated  
Valve - Rough Chrome Plated  
Trim - Rough Chrome Plated
- D Rack - Polished Chrome Plated  
Valve - Polished Chrome Plated  
Trim - Polished Chrome Plated



## PRODUCT OPTIONS (cont.)

### VALVES:

- 11 With Model 2765 Adjustable Brass Pressure Restricting Device
- 12 With Model 2770 1-1/2" Brass Restricting Disc
- 14 With Model 4080 1-1/2" Female x Male Adjustable Pressure Restricting Angle Valve
- 16 With Model 4051 1-1/2" Female x Male Pressure Regulating Angle Valve
- 18 With Model 4012 1-1/2" Female x Male Pressure Regulating Angle Valve

### FIRE HOSES:

- 21 With Model 2915 1-1/2" Polyflex Hose ◀FM▶ and U/L Labeled

### COUPLING:

- 31 With Model 2930 -RL Rocker Lug Coupling

### NOZZLES:

- 42 With Model 2960 Red Polycarbonate Fog Nozzle
- 43 With Model 2972 Brass Fog Nozzle with Rubber Bumper
- 44 With Model 2980 Red Polycarbonate "All fog" Nozzle
- 45 Model 2985 Brass "All Fog" Nozzle with Rubber Bumper
- 46 Model 2993 Brass Fixed-Flow Fog Nozzle

Call Potter Roemer - Fire Pro for current listings and approvals. Dimensions are subject to manufacturer's tolerance and may change without notice. Potter Roemer - Fire Pro assumes no responsibility for use of void or superseded data. © Copyright Potter Roemer - Fire Pro, Member of Morris Group International™ Please visit [potterroemer.com](http://potterroemer.com) for most current specifications.

**2866 SERIES**

Date: 03/27/14

**MEMBERSHIP**



FIRE EQUIPMENT  
MANUFACTURERS'  
ASSOCIATION

**ONFSA**  
NATIONAL FIRE SPRINKLER ASSOCIATION, INC.



**CASPE**  
American Society of  
Plumbing Engineers



## POTTER ROEMER/FIRE PRO

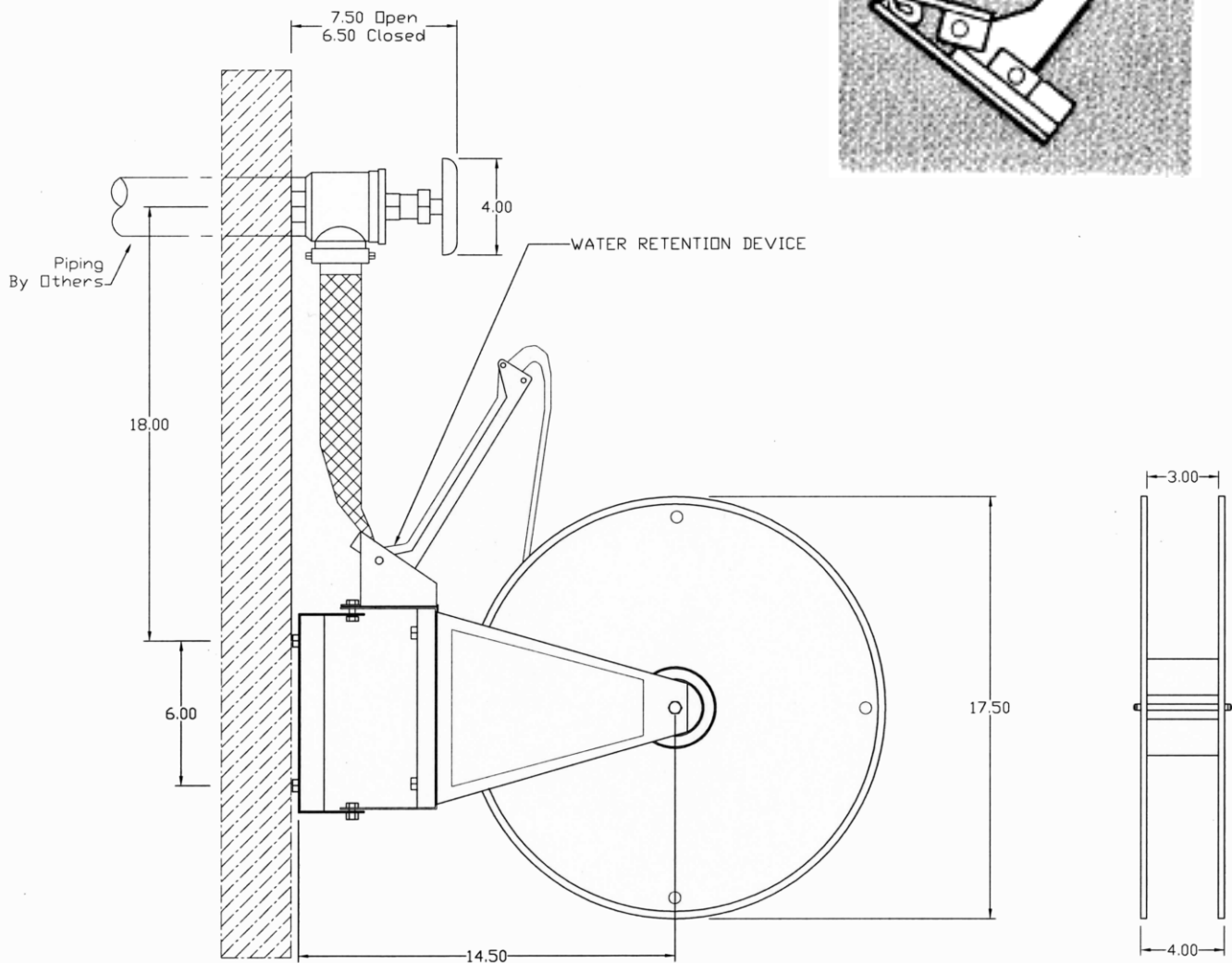
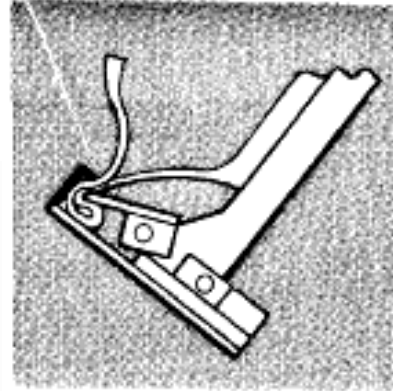
Headquarters:  
P.O. Box 3527  
City of Industry, CA  
91744 U.S.A.  
Los Angeles Area  
800-366-3473  
626-855-4890

Also in:  
New York (800) 526-4592  
Chicago (800) 547-3473  
Atlanta (800) 762-0542  
Miami (866) 961-3473  
Dallas (866) 644-3473

[www.potterroemer.com](http://www.potterroemer.com)

**MODEL DIMENSIONS**

**“A” WATER RETENTION DEVICE**



Call Potter Roemer - Fire Pro for current listings and approvals. Dimensions are subject to manufacturer's tolerance and may change without notice. Potter Roemer - Fire Pro assumes no responsibility for use of void or superceded data. © Copyright Potter Roemer - Fire Pro, Member of Morris Group International™ Please visit [potterroemer.com](http://potterroemer.com) for most current specifications.

**2866 SERIES**

Date: 03/27/14

**MEMBERSHIP**



**FIRE EQUIPMENT  
MANUFACTURERS'  
ASSOCIATION**



**POTTER ROEMER/FIRE PRO**

Headquarters:  
P.O. Box 3527  
City of Industry, CA  
91744 U.S.A.  
Los Angeles Area  
800-366-3473  
626-855-4890

Also in:  
New York (800) 526-4592  
Chicago (800) 547-3473  
Atlanta (800) 762-0542  
Miami (866) 961-3473  
Dallas (866) 644-3473

[www.potterroemer.com](http://www.potterroemer.com)