

**SPECIFICATIONS**

Reel 20 gauge steel welded construction with red glossy polyester coating. 12 gauge steel wall bracket bolted together to permit wide angle swing. Provided with breakable seal to prevent unrolling. Hose capacity as selected by model number.

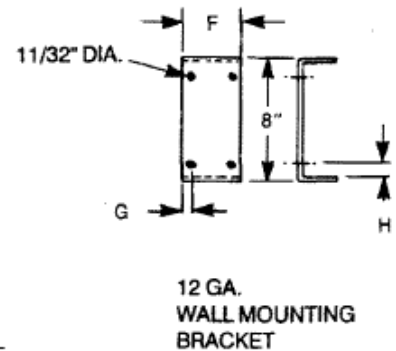
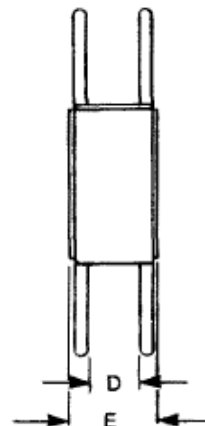
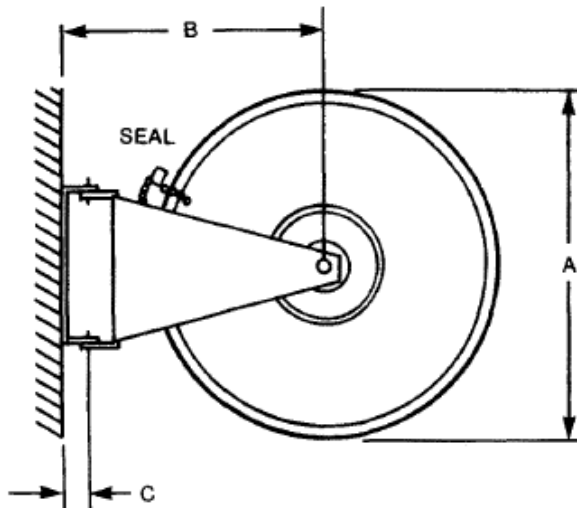
**MODEL SELECTION**

- 2876
- 2877
- 2878
- 2879

**PRODUCT OPTIONS**

- G Pipe Clamp  
Specify Pipe Size \_\_\_\_\_

**MODEL DIMENSIONS**



Model No.	Reel Capacity								Dimensions								Material Gauge
	Polyflex		PR-Superflex		Single Jacket		Double Jacket		A	B	C	D	E	F	G	H	
	1-1/2	2-1/2	1-1/2	2-1/2	1-1/2	2-1/2	1-1/2	2-1/2									
2876	100'	-	50'	-	50'	-	-	-	17	15-1/2	2-1/4	3	4	2-3/4	1/2	1-1/8	20
2877	150'	-	75'	-	75'	-	50'	-	23	15-1/2	2-1/4	3	4	2-3/4	1/2	1-1/8	20
2878	200'	100'	150'	50'	150'	50'	100'	50'	23	17-1/2	2-1/4	5-3/4	6-1/2	2-3/4	1/2	1-1/8	20
2879	-	200'	-	100'	-	100'	-	100'	23	20	3-1/4	9-1/2	10-1/4	10-1/4	1	1	20

ALL DIMENSIONS IN INCHES

Call Potter Roemer - Fire Pro for current listings and approvals. Dimensions are subject to manufacturer's tolerance and may change without notice. Potter Roemer - Fire Pro assumes no responsibility for use of void or superseded data. © Copyright Potter Roemer - Fire Pro, Member of Morris Group International™ Please visit [potterroemer.com](http://potterroemer.com) for most current specifications.

**2875 SERIES**

Date: 03/27/14

**MEMBERSHIP**



**POTTER ROEMER/FIRE PRO**

Headquarters:  
P.O. Box 3527  
City of Industry, CA  
91744 U.S.A.  
Los Angeles Area  
800-366-3473  
626-855-4890

Also in:  
New York (800) 526-4592  
Chicago (800) 547-3473  
Atlanta (800) 762-0542  
Miami (866) 961-3473  
Dallas (866) 644-3473

[www.potterroemer.com](http://www.potterroemer.com)