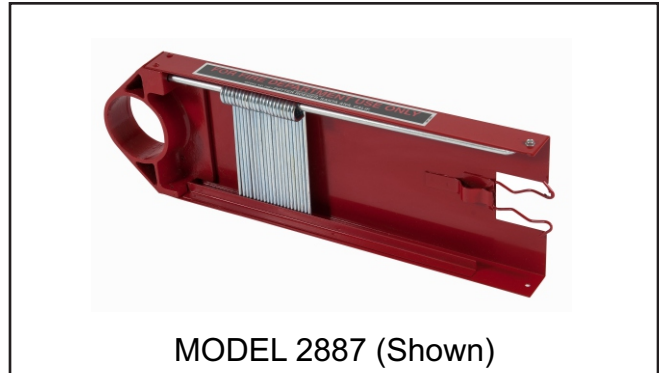


HOSE STORAGE RACK

SPECIFICATIONS

Non-Automatic steel pin type hose rack with red glossy polyester finish for use with 2-1/2" polyflex hose and nipple mounting.



MODEL 2887 (Shown)

MODEL SELECTION

2887 Pipe Mounted

PRODUCT OPTIONS

OPTIONS:

- E Wall Bracket
 -G Pipe Bracket (Specify pipe size _____)

COLUMN MOUNTED

SPECIFICATIONS

Hose holder constructed of 12 gauge steel with red polyester finish. Mounting brackets supplied for attaching to either side of an 8" through 12" "I" beam. Maximum capacity is 100' - 1-1/2" S.J. hose.



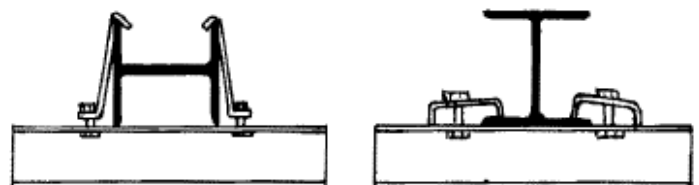
MODEL 2888 (Shown)

MODEL DIMENSIONS

Width - 16"
Height - 10"
Depth - 9"

MODEL SELECTION

2888 Column Mounted



Call Potter Roemer - Fire Pro for current listings and approvals. Dimensions are subject to manufacturer's tolerance and may change without notice. Potter Roemer - Fire Pro assumes no responsibility for use of void or superseded data. © Copyright Potter Roemer - Fire Pro, Member of Morris Group International™ Please visit potterroemer.com for most current specifications.

2887-2891 SERIES Date: 03/27/14

MEMBERSHIP



FIRE EQUIPMENT
MANUFACTURERS'
ASSOCIATION

ONFSA
NATIONAL OPEN SPRINKLER ASSOCIATION, INC.



CASPE
American Society of
Plumbing Engineers



POTTER ROEMER/FIRE PRO

Headquarters:
P.O. Box 3527
City of Industry, CA
91744 U.S.A.
Los Angeles Area
800-366-3473
626-855-4890

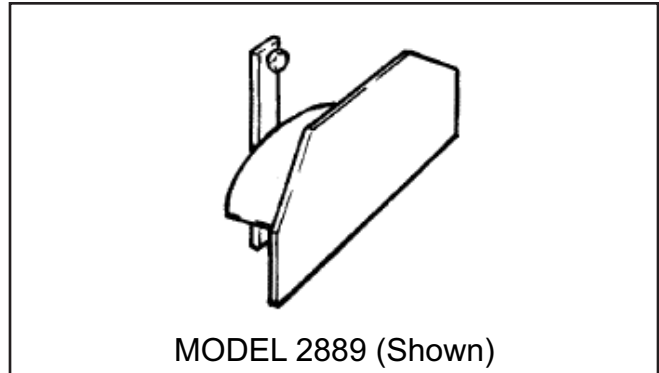
Also in:
New York (800) 526-4592
Chicago (800) 547-3473
Atlanta (800) 762-0542
Miami (866) 961-3473
Dallas (866) 644-3473

www.potterroemer.com

HOSE HANGER

SPECIFICATIONS

Wall mounted hose hanger with red glossy polyester finish for use with 1-1/2" or 2-1/2" collapsible hose and nipple mounting.



MODEL SELECTION

2887 Pipe Mounted

PRODUCT OPTIONS

OPTIONS:

- E Wall Bracket
 -G Pipe Bracket (Specify pipe size _____)

HUMP TYPE RACK

SPECIFICATIONS

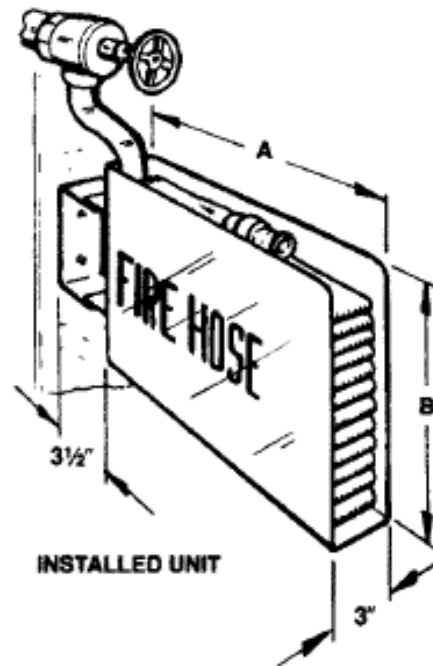
Solid sides, steel construction with red glossy polyester finish and identification decal. Wall brackets permit a full 180° swing.

MODEL SELECTION

- 2890
 2890-2

DIMENSION CHART

| Model No. | A | B | MAXIMUM CAPACITY |
|-----------|----|----|------------------|
| 2890 | 24 | 16 | 100' 1-1/2" 2915 |
| 2890-2 | 28 | 24 | 100' 1-1/2" 2911 |



Call Potter Roemer - Fire Pro for current listings and approvals. Dimensions are subject to manufacturer's tolerance and may change without notice. Potter Roemer - Fire Pro assumes no responsibility for use of void or superseded data. © Copyright Potter Roemer - Fire Pro, Member of Morris Group International™ Please visit potterroemer.com for most current specifications.

2887-2891 SERIES Date: 03/27/14

MEMBERSHIP



FIRE EQUIPMENT
MANUFACTURERS'
ASSOCIATION

ONFSA
NATIONAL FIRE SPRINKLER ASSOCIATION, INC.



CASPE
American Society of
Plumbing Engineers



POTTER ROEMER/FIRE PRO

Headquarters:
P.O. Box 3527
City of Industry, CA
91744 U.S.A.
Los Angeles Area
800-366-3473
626-855-4890

Also in:
New York (800) 526-4592
Chicago (800) 547-3473
Atlanta (800) 762-0542
Miami (866) 961-3473
Dallas (866) 644-3473

www.potterroemer.com

COLUMN HANGER TYPE RACK

SPECIFICATIONS

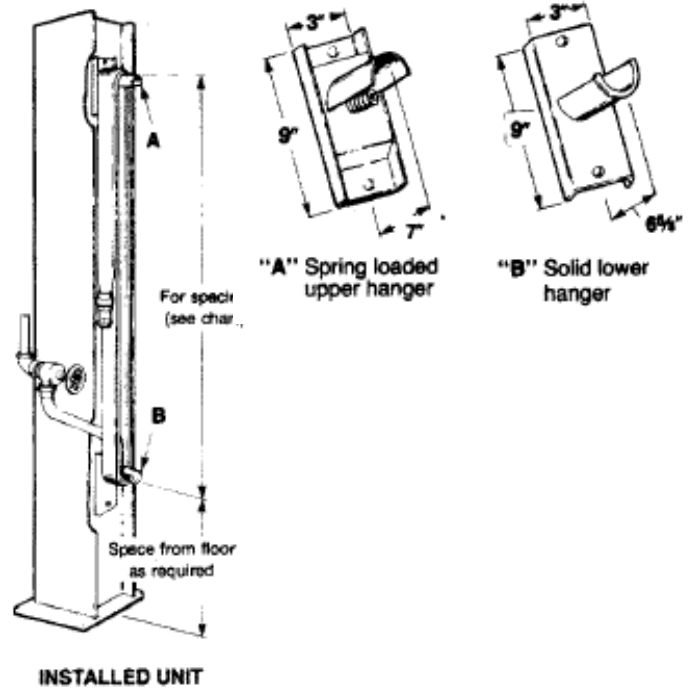
Solid sides, steel construction with red glossy polyester finish and identification decal. Wall brackets permit a full 180° swing.

MODEL SELECTION

- 2890
 2890-2

HANGER SPACING CHART

| NUMBER LOOPS | 50 FT | HOSE LENGTH 75 FT | 100 FT |
|--------------|-------|----------------------|--------|
| 2 | 12 FT | - | - |
| 3 | 8 FT | 12 FT | - |
| 4 | 6 FT | 9 FT | 12 FT |



SELECT EQUIPMENT

HOSE LENGTH:

- 50' 75' 100'

HOSE BRASS PINLUG COUPLED ◀FM▶

- 2901 1-1/2" Single Jacket Lined 300 lb. Test
 2902 2-1/2" Single Jacket Lined 300 lb. Test
 2911 1-1/2" Double Jacket Lined 600 lb. Test
 2914 2-1/2" Double Jacket Lined 600 lb. Test
 2915 1-1/2" Single Jacket Lined 500 lb. Test Polyflex
 2916 2-1/2" Single Jacket Lined 500 lb. Test Polyflex
 2926 1-1/2" Single Jacket Lined 500 lb. Test Superflex
 2929 2-1/2" Single Jacket Lined 500 lb. Test Superflex
 Other - Specify

OPTION:

- U/L Label

THREADS:

- N.S.T. Other - Specify

HOSE RACK & REEL COVERS:

- 2892 For 75 ft. Polyflex Rack
 2893 For 100 ft. Polyflex Rack
 2894 For 100 ft. Superflex Rack
 2892 For 2876 Hose Reel
 2893 For 2877-2878 Hose Reel
 2894 For 2879 Hose Reel

NOZZLES

- 2945 1-1/2" Plain Plastic
 2947 1-1/2" Plain Brass
 2948 2-1/2" Plain Brass (2891 Only)
 2960 1-1/2" Red Lexan Fog ◀FM▶
 2962 1-1/2" Brass Fog U/L and ◀FM▶
 2972 1-1/2" Brass Fog with Rubber Bumper U/L and ◀FM▶
 2973 2-1/2" Brass Fog with rubber Bumper U/L
 2980 1-1/2" Red Lexan All Fog ◀FM▶
 2985 1-1/2" Brass All Fog U/L and ◀FM▶

VALVE

- 4060 1-1/2" Female x Male Brass Angle U/L and ◀FM▶
 4065 2-1/2" Female x Male Brass Angle U/L and ◀FM▶
 4080 1-1/2" Female x Male Brass Angle Pressure Restricting U/L
 4085 2-1/2" Female x Male Brass Angle Pressure Restricting U/L
 Other - Specify

Call Potter Roemer - Fire Pro for current listings and approvals. Dimensions are subject to manufacturer's tolerance and may change without notice. Potter Roemer - Fire Pro assumes no responsibility for use of void or superseded data. © Copyright Potter Roemer - Fire Pro, Member of Morris Group International™ Please visit potterroemer.com for most current specifications.

2887-2891 SERIES Date: 03/27/14

MEMBERSHIP



FIRE EQUIPMENT
MANUFACTURERS'
ASSOCIATION



POTTER ROEMER/FIRE PRO

Headquarters:
P.O. Box 3527
City of Industry, CA
91744 U.S.A.
Los Angeles Area
800-366-3473
626-855-4890

Also in:
New York (800) 526-4592
Chicago (800) 547-3473
Atlanta (800) 762-0542
Miami (866) 961-3473
Dallas (866) 644-3473

www.potterroemer.com