

## SPECIFICATIONS

### 1-1/2" SINGLE LUG COUPLING

Cast brass finish. 1-11/16" & 1-3/4" bowl size. Single pin lug with two expansion rings, two tail and one swivel gasket.

### DOUBLE LUG COUPLINGS

Cast brass finish, Bowl size as selected by model number. Double pin lug with two expansion rings, two tail and one swivel gasket.

### EXTRUDED ALUMINUM COUPLINGS

Hard coated, lightweight aluminum rocker lug coupling. Two expansion rings, two tail and one swivel gasket.

## MODEL SIZE CHART

Model No.	Size	Bowl Size
2930	1-1/2"	1-11/16"
2934	1-1/2"	1-3/4"
2935	1-1/2"	1-13/16"
2938	1-1/2"	1-15/16"
2936	2-1/2"	2-13/16"
2937	2-1/2"	3"
2941	1-1/2"	1-11/16"
2942	1-1/2"	1-15/16"
2943	2-1/2"	2-13/16"
2944	2-1/2"	3"

## MODEL SELECTION

- 2930 Single Lug Coupling
- 2934 Single Lug Coupling
- 2935 Double Lug Coupling
- 2936 Double Lug Coupling
- 2937 Double Lug Coupling
- 2938 Double Lug Coupling
- 2941 Extruded Aluminum Coupling
- 2942 Extruded Aluminum Coupling
- 2943 Extruded Aluminum Coupling
- 2944 Extruded Aluminum Coupling



## PRODUCT OPTIONS

### OPTIONAL BOWL SIZES:

(Model 2941 Only)

- 1-3/4"
- 1-13/16"

(Model 2942 Only)

- 2-1/8"
- 2-5/16"
- 2-9/16"

\*\*NOTE: OPTIONAL FINISHES AND VARIATIONS NOT AVAILABLE FOR EXTRUDED ALUMINUM COUPLING MODELS

### FINISHES:

- B Polished Brass
- C Rough Chrome Plated
- D Polished Chrome Plated

### VARIATIONS:

- RL Rocker Lug

### THREADS:

- N.S.T.
- Other \_\_\_\_\_

Call Potter Roemer - Fire Pro for current listings and approvals. Dimensions are subject to manufacturer's tolerance and may change without notice. Potter Roemer - Fire Pro assumes no responsibility for use of void or superseded data. © Copyright Potter Roemer - Fire Pro, Member of Morris Group International™ Please visit [potterroemer.com](http://potterroemer.com) for most current specifications.

**2930-2944 SERIES** Date: 03/27/14

**MEMBERSHIP**



FIRE EQUIPMENT  
MANUFACTURERS'  
ASSOCIATION

**ONFSA**  
NATIONAL IRRE SPRINKLER ASSOCIATION, INC.



**CASPE**  
American Society of  
Plumbing Engineers



## POTTER ROEMER/FIRE PRO

Headquarters:  
P.O. Box 3527  
City of Industry, CA  
91744 U.S.A.  
Los Angeles Area  
800-366-3473  
626-855-4890

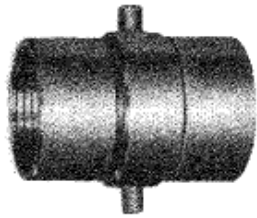
Also in:  
New York (800) 526-4592  
Chicago (800) 547-3473  
Atlanta (800) 762-0542  
Miami (866) 961-3473  
Dallas (866) 644-3473

[www.potterroemer.com](http://www.potterroemer.com)

**MODEL DIMENSIONS**

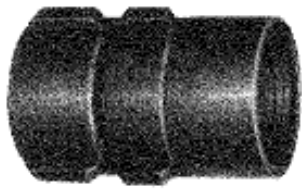
**SINGLE LUG COUPLINGS**

Model No.	Size	Bowl Size
2930	1-1/2"	1-11/16"
2934	1-1/2"	1-13/16"



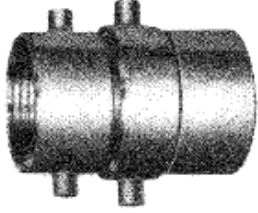
**EXTRUDED ALUMINUM COUPLINGS**

Model No.	Size	Bowl Size
2941	1-1/2"	1-11/16"
2942	1-1/2"	1-15/16"
2943	2-1/2"	2-13/16"
2944	2-1/2"	3"



**DOUBLE LUG COUPLINGS**

Model No.	Size	Bowl Size
2935	1-1/2"	1-13/16"
2938	1-1/2"	1-15/16"
2936	2-1/2"	2-13/16"
2937	2-1/2"	3"



Call Potter Roemer - Fire Pro for current listings and approvals. Dimensions are subject to manufacturer's tolerance and may change without notice. Potter Roemer - Fire Pro assumes no responsibility for use of void or superceded data. © Copyright Potter Roemer - Fire Pro, Member of Morris Group International™ Please visit [potterroemer.com](http://potterroemer.com) for most current specifications.

**2930-2944 SERIES** Date: 03/27/14

**MEMBERSHIP**



FIRE EQUIPMENT  
MANUFACTURERS'  
ASSOCIATION



**POTTER ROEMER/FIRE PRO**

Headquarters:  
P.O. Box 3527  
City of Industry, CA  
91744 U.S.A.  
Los Angeles Area  
800-366-3473  
626-855-4890

Also in:  
New York (800) 526-4592  
Chicago (800) 547-3473  
Atlanta (800) 762-0542  
Miami (866) 961-3473  
Dallas (866) 644-3473

[www.potterroemer.com](http://www.potterroemer.com)