

## SPECIFICATIONS

### MODELS 4010-4015

Cast brass valve with inside screw rising stem, internal parts of brass and stainless steel. Red aluminum hand wheel.

### MODELS 4021-4023

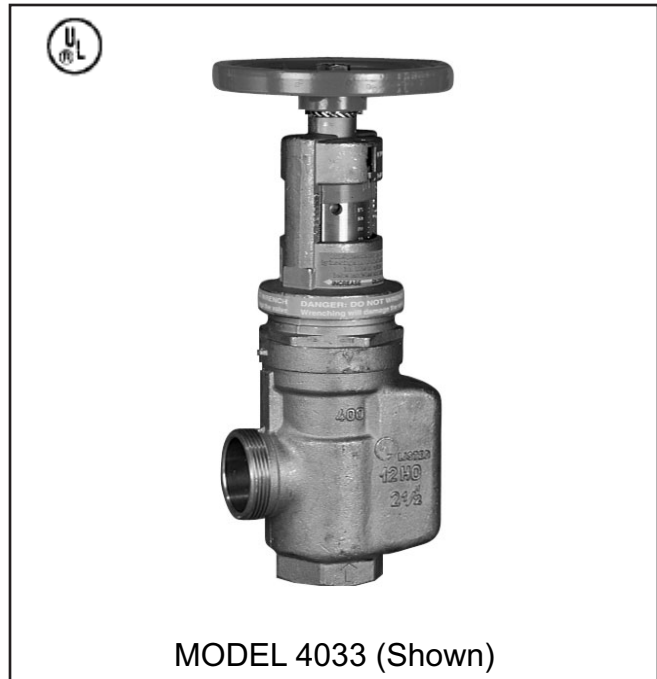
Cast brass valve with inside screw rising stem, internal parts of brass and stainless steel. Red aluminum hand wheel.

### MODELS 4033

Brass valve with non-rising stem and indicator bonnet. Internal parts of brass and stainless steel, red alloy handwheel, Female N.P.T. x Male hose threads

### MODEL 4035 & 4038

Brass valve with non-rising stem and indicator bonnet. Internal parts of brass and stainless steel, red alloy handwheel, Female N.P.T. x Male hose threads.



## MODEL SELECTION

- 4010 1-1/2" Female N.P.T. inlet and outlet
- 4015 1-1/2" Female N.P.T. inlet x male hose thread outlet
- 4021 2-1/2" Female N.P.T. inlet and outlet
- 4023 2-1/2" Female N.P.T. inlet x male hose thread outlet
- 4033 2-1/2" Angle Female x Male
- 4035 2-1/2" Female N.P.T. inlet x male N.S.T.
- 4038 2-1/2" Angle Female x Female

NOTE: The in-line installation of a "REG-U-MATIC" sets up a closed system. A relief valve should be installed to eliminate excessive pressure build up due to line surges.

## PRODUCT OPTIONS

### FINISHES:

- C Rough Chrome Plated

### OPTION: (Models 4021-4023 Only)

- MSA Monitor Switch Adapter

### THREADS:

- N.S.T.
- OTHER \_\_\_\_\_

Call Potter Roemer - Fire Pro for current listings and approvals. Dimensions are subject to manufacturer's tolerance and may change without notice. Potter Roemer - Fire Pro assumes no responsibility for use of void or superseded data. © Copyright Potter Roemer - Fire Pro, Member of Morris Group International™ Please visit [potterroemer.com](http://potterroemer.com) for most current specifications.

**4010-4038 SERIES** Date: 03/27/14

**MEMBERSHIP**



FIRE EQUIPMENT  
MANUFACTURERS'  
ASSOCIATION

**ONFSA**  
NATIONAL FIRE SPRINKLER ASSOCIATION, INC.



**CASPE**  
American Society of  
Plumbing Engineers



## POTTER ROEMER/FIRE PRO

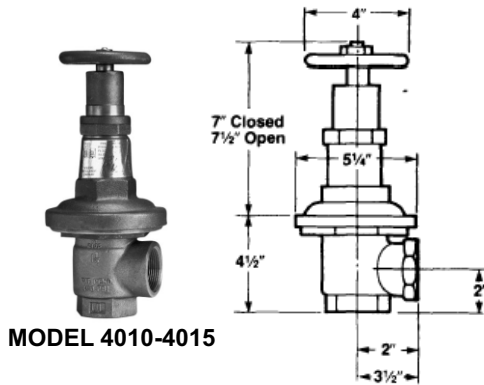
Headquarters:  
P.O. Box 3527  
City of Industry, CA  
91744 U.S.A.  
Los Angeles Area  
800-366-3473  
626-855-4890

Also in:  
New York (800) 526-4592  
Chicago (800) 547-3473  
Atlanta (800) 762-0542  
Miami (866) 961-3473  
Dallas (866) 644-3473

[www.potterroemer.com](http://www.potterroemer.com)

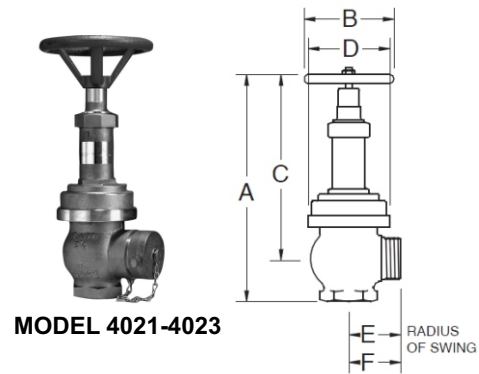
**MODEL DIMENSIONS**

MODEL 4021-4023															
A Open		A Close		B		C Open		C Close		D		E		F	
in.	mm	in.	mm	in.	mm	in.	mm	in.	mm	in.	mm	in.	mm	in.	mm
17-1/2	445	16-1/2	419	6-1/4	159	14-1/4	368	13-1/2	343	5-3/4	146	3-1/2	89	3	76



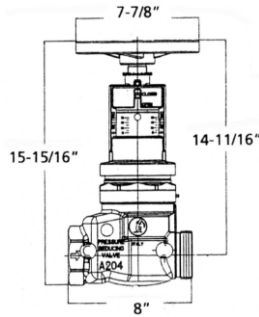
**MODEL 4010-4015**

**4010** - 1-1/2" Female N.P.T. inlet and outlet  
**4015** - 1-1/2" Female N.P.T. inlet x male hose thread outlet



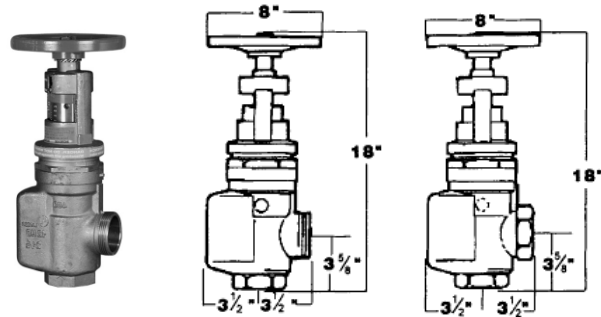
**MODEL 4021-4023**

**4021** - 2-1/2" Female N.P.T. inlet and outlet  
**4023** - 2-1/2" Female N.P.T. inlet x male hose thread outlet



**MODEL 4035**

**4035** - 2-1/2" Female N.P.T. inlet x male N.S.T.



**MODEL 4033 & 4038**

**4033** - 2-1/2" Female N.P.T. inlet x male hose thread outlet  
**4038** - 2-1/2" Female N.P.T. inlet and outlet

Call Potter Roemer - Fire Pro for current listings and approvals. Dimensions are subject to manufacturer's tolerance and may change without notice. Potter Roemer-Fire Pro assumes no responsibility for use of void or superseded data. © Copyright Potter Roemer- Fire Pro, Member of Morris Group International™ Please visit [potterroemer.com](http://potterroemer.com) for most current specifications.

**4010-4038 SERIES** Date: 03/27/14

**MEMBERSHIP**



FIRE EQUIPMENT  
MANUFACTURERS'  
ASSOCIATION



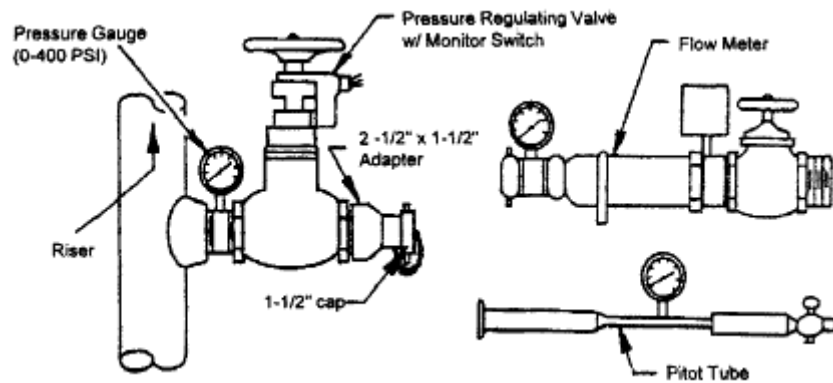
**POTTER ROEMER/FIRE PRO**

Headquarters:  
P.O. Box 3527  
City of Industry, CA  
91744 U.S.A.  
Los Angeles Area  
800-366-3473  
626-855-4890

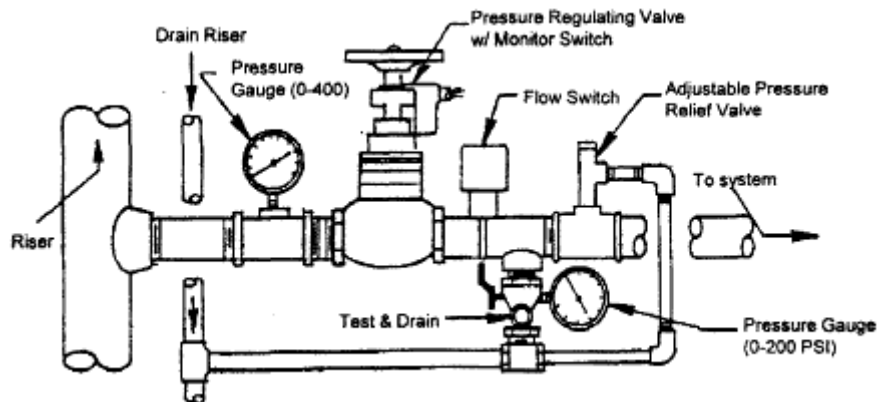
Also in:  
New York (800) 526-4592  
Chicago (800) 547-3473  
Atlanta (800) 762-0542  
Miami (866) 961-3473  
Dallas (866) 644-3473

[www.potterroemer.com](http://www.potterroemer.com)

## Recommended Installation:



Pressure Regulating Hose Connection Valve Installation (Fig No. 4033)



Pressure Regulating Floor Control Valve Installation

## TESTING AND MAINTENANCE OF PRESSURE REGULATING VALVES

Pressure regulating valves achieve their function by mechanical means, therefore, the valves must be exercised on a routine basis. If the valves are left in a closed position for long periods of time they may not function within their original design parameters. These valves are an integral part of fire safety systems and the testing and maintenance schedule that follow will provide the owner/operator of the property with years of satisfactory service. To neglect these procedures is an invitation to failure when these valves are most necessary.

### Sprinkler Valves

1. Inspect monthly to verify:
  - \*In the open position
  - \*Not leaking
  - \*Maintaining downstream pressures
  - \*Handwheel installed and not broken
  - \*Downstream Pressure relief valve operates
2. Annual flow test conducted on each valve:
  - \*Open the sectional drain valve or test & drain and compare the results with the original installation or acceptance test
  - \*Testing in place:
    - Note Pressure reading on upstream and downstream gauges in static mode with sectional drain valve test & drain open
    - Note pressure readings on upstream and downstream gauges in residual mode
  - \*See Test Result Procedure

### Hose Connection Valves

1. Inspect weekly to verify:
  - \*Handwheel installed and not broken
  - \*The outlet hose threads are not damaged
  - \*Not leaking
  - \*The reducer and/or cap are not missing
  - \*Pressure gauge registers upstream reading
  - \*Monitor switch is operating
2. Annual flow test conducted on each valve:
  - \*Test in place by placing a gauge on the downstream side and a flow reading is taken using a pilot tube or a flow meter
  - \*See Test Result Procedure

### Test Result Procedure Sprinkler Valves & Hose Connection Valves

Readings from the test results are to be compared to the systems hydraulic demands at the location. Field adjustable valves are to be reset if necessary in accordance with the original instructions. Non-adjustable valves that no longer comply with the systems hydraulic demands are to be replaced.