

## SPECIFICATIONS

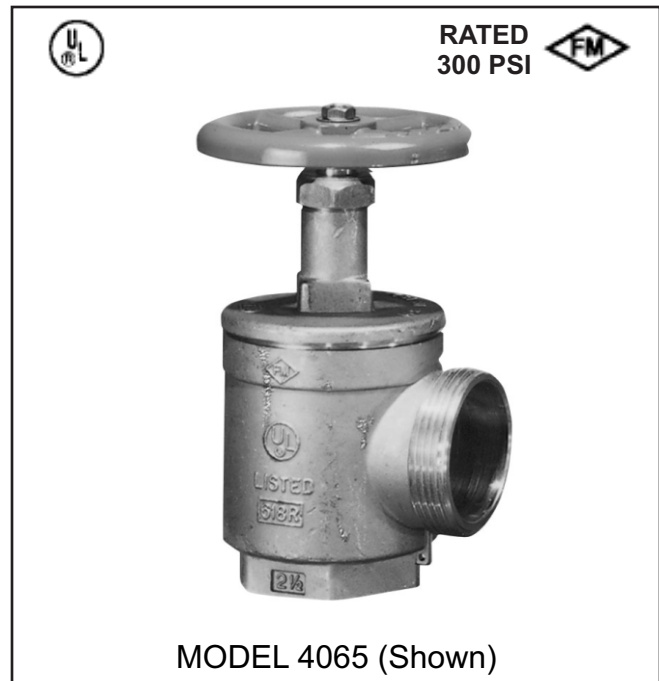
### ANGLE VALVES

#### FEMALE X MALE

Cast brass valve with red hand wheel, Female N.P.T. inlet x male hose thread outlet 300 lb. rated

#### DOUBLE FEMALE

Cast brass valve with red hand wheel. Female N.P.T. inlet and outlet 300 lb. rated



## MODEL SELECTION

### VALVES

- 4060 1-1/2" Female x Male Angle Valve
- 4065 2-1/2" Female x Male Angle Valve
- 4070 1-1/2" Double Female Angle Valve
- 4075 2-1/2" Double Female Angle Valve

### OPTIONAL CAPS & FLANGES

- 4615 1-1/2" Cap w/ Chain
- 4625 2-1/2" Cap w/ Chain
- 4711 1-1/2" Flange 3" O.D.
- 4712 2-1/2" Flange 6-1/4" O.D.

## PRODUCT OPTIONS

### FINISHES:

- B Polished Brass
- C Rough Chrome Plated
- D Polished Chrome Plated

### THREADS:

- N.S.T.
- Other \_\_\_\_\_

### VARIATIONS:

- Extended Stem Up to 24"  
Specify \_\_\_\_\_
- Rocker Lugs (Cap Models Only)

Call Potter Roemer - Fire Pro for current listings and approvals. Dimensions are subject to manufacturer's tolerance and may change without notice. Potter Roemer - Fire Pro assumes no responsibility for use of void or superseded data. © Copyright Potter Roemer - Fire Pro, Member of Morris Group International™ Please visit [potterroemer.com](http://potterroemer.com) for most current specifications.

**4060-4075 SERIES** Date: 03/27/14

**MEMBERSHIP**



FIRE EQUIPMENT  
MANUFACTURERS'  
ASSOCIATION

**ONFSA**  
NATIONAL FIRE SPRINKLER ASSOCIATION, INC.



**CASPE**  
American Society of  
Plumbing Engineers



## POTTER ROEMER/FIRE PRO

Headquarters:  
P.O. Box 3527  
City of Industry, CA  
91744 U.S.A.  
Los Angeles Area  
800-366-3473  
626-855-4890

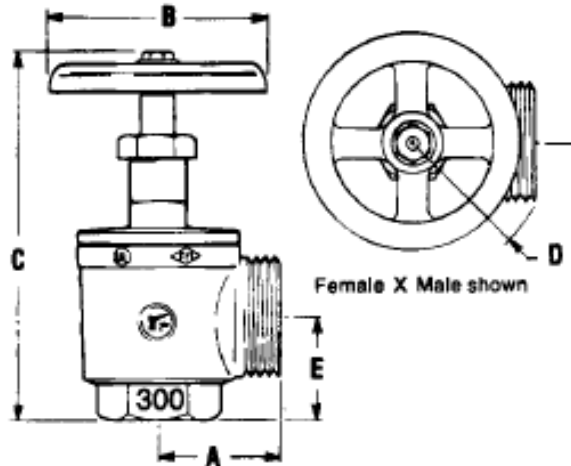
Also in:  
New York (800) 526-4592  
Chicago (800) 547-3473  
Atlanta (800) 762-0542  
Miami (866) 961-3473  
Dallas (866) 644-3473

[www.potterroemer.com](http://www.potterroemer.com)

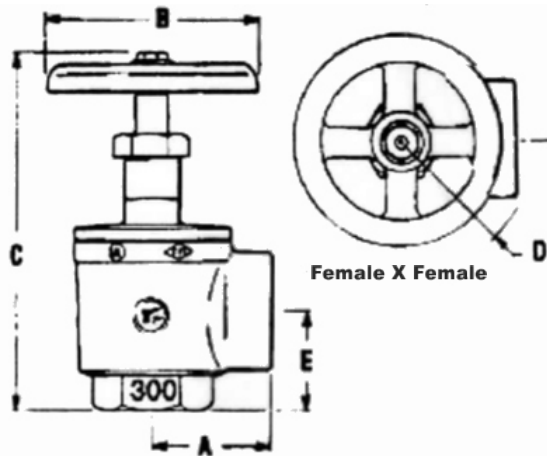
**MODEL DIMENSIONS**

Size	Closed			Open		
	A	B	C	C	D	E
1-1/2	2-1/4	3-1/2	6-1/2	7-1/2	2-1/2	2
2-1/2	3-1/2	5	9-1/2	11-1/2	3-1/2	2-3/4

ALL DIMENSIONS IN INCHES



**MODEL 4060-4065**



**MODEL 4070-4075**

Call Potter Roemer - Fire Pro for current listings and approvals. Dimensions are subject to manufacturer's tolerance and may change without notice. Potter Roemer - Fire Pro assumes no responsibility for use of void or superceded data. © Copyright Potter Roemer - Fire Pro, Member of Morris Group International™ Please visit [potterroemer.com](http://potterroemer.com) for most current specifications.

**4060-4075 SERIES** Date: 03/27/14

**MEMBERSHIP**



FIRE EQUIPMENT  
MANUFACTURERS'  
ASSOCIATION

**ONFSA**  
NATIONAL FIRE SPRINKLER ASSOCIATION, INC.



**CASPE**  
American Society of  
Plumbing Engineers



**POTTER ROEMER/FIRE PRO**

Headquarters:  
P.O. Box 3527  
City of Industry, CA  
91744 U.S.A.  
Los Angeles Area  
800-366-3473  
626-855-4890

Also in:  
New York (800) 526-4592  
Chicago (800) 547-3473  
Atlanta (800) 762-0542  
Miami (866) 961-3473  
Dallas (866) 644-3473

[www.potterroemer.com](http://www.potterroemer.com)