

SPECIFICATIONS

ADJUSTABLE PRESSURE RESTRICTING ANGLE VALVE

FEMALE X MALE

Cast brass valve with red hand wheel with pressure restricting feature. Female N.P.T. inlet x male hose thread outlet. 175 lb. rated. Furnished with field setting chart.

DOUBLE FEMALE

Cast brass valve with red hand wheel with pressure restricting feature. Female N.P.T. inlet and outlet. 175 lb. rated. Furnished with field setting chart.



MODEL SELECTION

VALVES

- 4080** 1-1/2" Female x Male Adjustable Pressure Restricting Angle Valve
- 4085** 2-1/2" Female x Male Adjustable Pressure Restricting Angle Valve
- 4090** 1-1/2" Double Female Adjustable Pressure Restricting Angle Valve
- 4095** 2-1/2" Double Female Adjustable Pressure Restricting Angle Valve

OPTIONAL CAPS & FLANGES

- 4615** 1-1/2" Cap w/ Chain
- 4625** 2-1/2" Cap w/ Chain
- 4711** 1-1/2" Flange 3" O.D.
- 4712** 2-1/2" Flange 6-1/4" O.D.

PRODUCT OPTIONS

FINISHES:

- B Polished Brass
- C Rough Chrome Plated
- D Polished Chrome Plated

THREADS:

- N.S.T.
- Other _____

VARIATIONS:

- Rocker Lugs (Cap Models Only)

Call Potter Roemer - Fire Pro for current listings and approvals. Dimensions are subject to manufacturer's tolerance and may change without notice. Potter Roemer - Fire Pro assumes no responsibility for use of void or superseded data. © Copyright Potter Roemer - Fire Pro, Member of Morris Group International™ Please visit potterroemer.com for most current specifications.

4080-4095 SERIES Date: 03/27/14

MEMBERSHIP



FIRE EQUIPMENT
MANUFACTURERS'
ASSOCIATION

ONFSA
NATIONAL IRRE SPRINKLER ASSOCIATION, INC.



CASPE
American Society of
Plumbing Engineers



POTTER ROEMER/FIRE PRO

Headquarters:
P.O. Box 3527
City of Industry, CA
91744 U.S.A.
Los Angeles Area
800-366-3473
626-855-4890

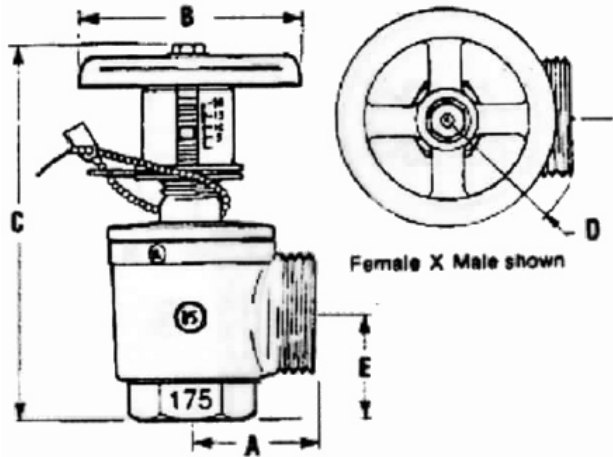
Also in:
New York (800) 526-4592
Chicago (800) 547-3473
Atlanta (800) 762-0542
Miami (866) 961-3473
Dallas (866) 644-3473

www.potterroemer.com

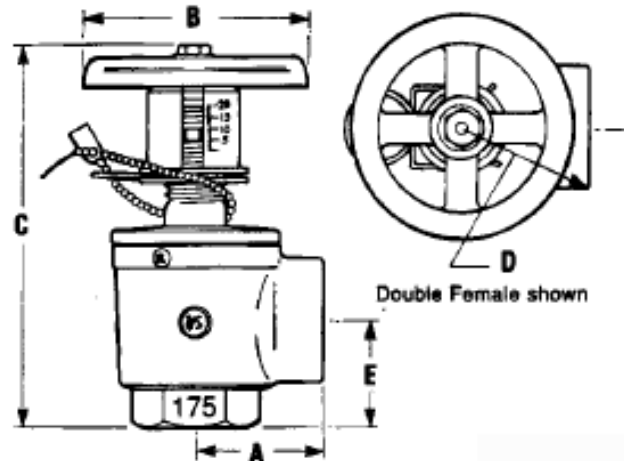
MODEL DIMENSIONS

Size	Closed		Open		D	E
	A	B	C	C		
1-1/2	2-1/4	3-1/2	6-1/2	7-1/2	2-1/2	2
2-1/2	3-1/2	5	9-1/2	11-1/2	3-1/2	2-3/4

ALL DIMENSIONS IN INCHES



MODEL 4080-4085



MODEL 4090-4095

Call Potter Roemer - Fire Pro for current listings and approvals. Dimensions are subject to manufacturer's tolerance and may change without notice. Potter Roemer - Fire Pro assumes no responsibility for use of void or superceded data. © Copyright Potter Roemer - Fire Pro, Member of Morris Group International™ Please visit potterroemer.com for most current specifications.

4080-4095 SERIES Date: 03/27/14

MEMBERSHIP



FIRE EQUIPMENT
MANUFACTURERS'
ASSOCIATION

ONFSA
NATIONAL FIRE SPRINKLER ASSOCIATION, INC.



CASPE
American Society of
Plumbing Engineers



POTTER ROEMER/FIRE PRO

Headquarters:
P.O. Box 3527
City of Industry, CA
91744 U.S.A.
Los Angeles Area
800-366-3473
626-855-4890

Also in:
New York (800) 526-4592
Chicago (800) 547-3473
Atlanta (800) 762-0542
Miami (866) 961-3473
Dallas (866) 644-3473

www.potterroemer.com